

NOTES:

1. MATERIAL:

1.1 HOUSING: HALOGEN FREE PLASTIC,UL94V-0.

1.2 CONTACT: COPPER ALLOY

2.CONTACT:

N:50U"~100u" NICKEL OVERALL,  
120U"~200u" PURE TIN(MATT TIN)

3. REFLOW SOLDER CAPABLE TO 260°C  
PER ACES SPEC.

4. SPEC. PLS. REFER TO PS-51327-XXXXX-XXX

5. PACKAGE PLS. REFER TO 51327-XXXXX-XX-TRP

6.PART NUMBER

P/N LEGEND

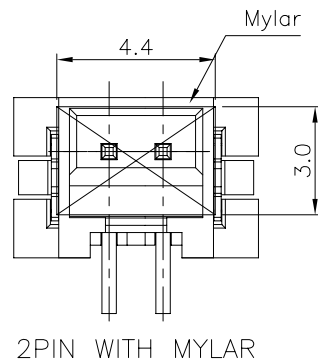
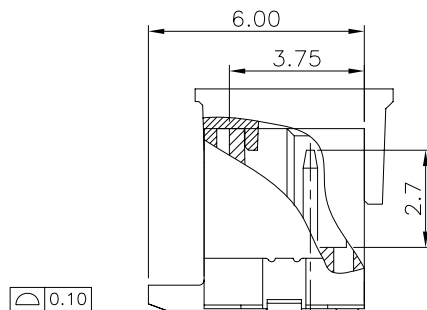
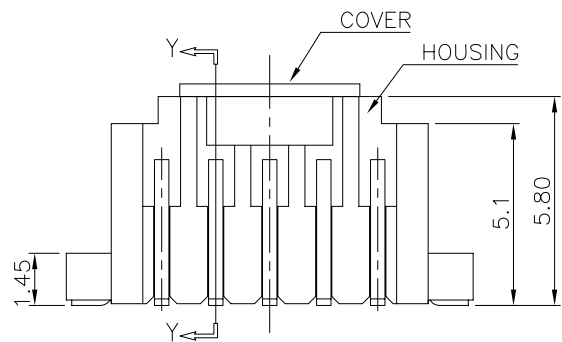
51327-XXX X X-V01

CTKS

PACKING  
7:TAPE & REEL WITH COVER

XXX	Material&Color	Cover	Packing
V01	LCP&Black	With Cover	51327-xxxCR-XX

PLATING  
N:MATT TIN



CKT	Dim A	Dim B
2	1.5	4.3

一般公差 <b>TOLERANCES</b> X. ±0.5 .XX ±0.15 X ±0.25 .XXX ±0.1 ANGLES ±2°	宏致電子股份有限公司 <b>Aces Electronics Co.,Ltd.</b>	製圖 (DR) TANGENHUI 16/03/24 審核 (CHKD) ANDREW 核准 (APPD) CHARLESLEE
檢驗尺寸標示 SYMBOLS ① ② INDICATE CLASSIFICATION DIMENSION	品名 (TITLE) 1.5mm WT8 Header SMT Vertical Type	圖號 (DWG NO.) 51327-XXXXX-V01
① MARK IS CRITICAL DIM. ② MARK IS MAJOR DIM.	表面處理 (FINISH)	比例 (SCALE) 5:1 單位 (UNITS) mm 
張數 (SHEET) 1 OF 1 尺寸 SIZE A4 版數 REV 0		